

BASE PRICING:

FDC - RSC \$200.00



(DIN Rail) FDC - RSC

Schedule A



1. POWER INPUT

- 4: 90-264VAC 50/60 HZ N/C
- 5: 11-40 VDC / 20-28 VAC, 47-63Hz \$16.00

2. OUTPUT 1

- 3: Isolated 4-20 mA/0-20 mA (OM98-3) \$35.00
- 5: Isolated 0-10VDC (OM98-5) \$35.00

3. OUTPUT 2

- 0: None N/C
- 3: Isolated 4-20/0-20 mA (OM98-3) \$35.00
- 5: Isolated 0-10VDC (OM98-5) \$35.00

4. OPTION 1

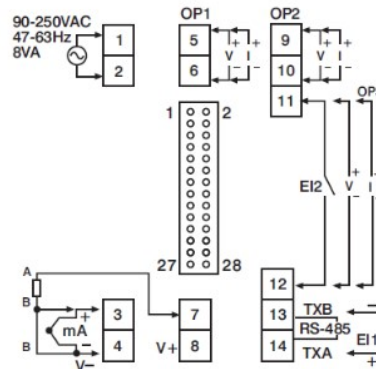
- 0: None N/C
- 1: RS-485 (Modbus) \$60.00
- 2: 1 Digital Input (EI1) \$13.00

5. OPTION 2 (Output 3/ Digital Input)*

- 0: None N/C
- 1: Retransmission 4-20mA/0-20mA (OM98-3) \$60.00
- 2: Retransmission 0-10VDC (OM98-5) \$60.00
- 4: 1 Digital Input (DI2) \$13.00

*Only One Digital Input can be selected

RSC Terminal Connection



High Voltage Input Power

Accessories

- PA98-1: USB Programming adapter \$44.50
- CC98-1: Programming Port Cable (1.5m) \$15.00



File#: E197216



RoHS Compliant

P.O. Box 1196 Bridgeview, IL 60455
 888.751.5444 Sales 888.307.8014 Fax
 Technical Support: 866.342.5332
<http://www.futuredesigncontrols.com>